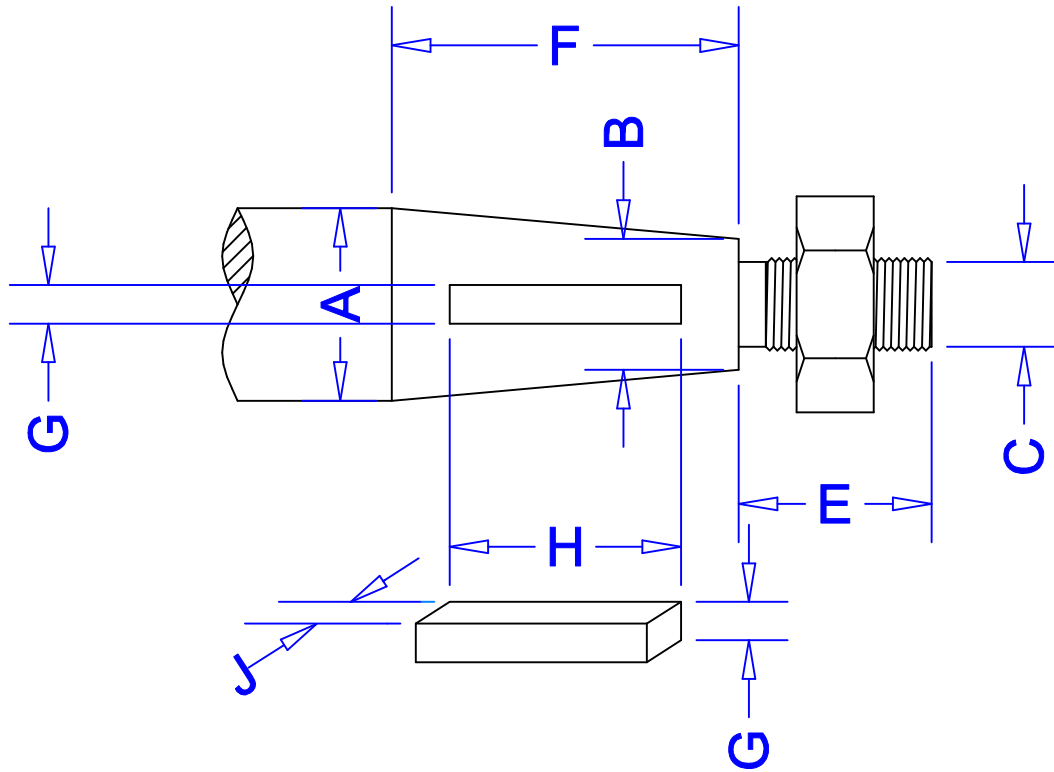


# KIWI FEATHERING PROPS BY VECTA MARINE.

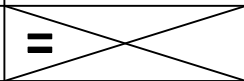


If shaft drive, please give the shaft/taper/key details below.  
 If spline, please give the make and model.

A = Shaft dia.

B = Shaft dia at end of taper.

C = Thread Type & Size.

D = 

E = 

F = Shaft Taper Length.

G = Key Width

H = Key Length

J = Key Height

Boat name:

Owner:

Make.

Model.